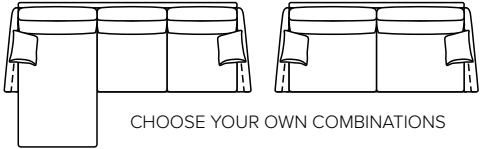
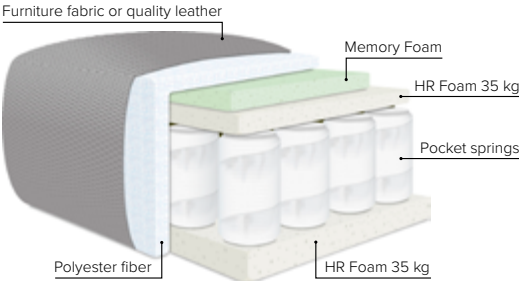


# BOULEVARD

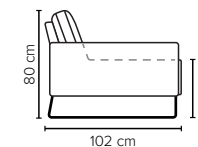
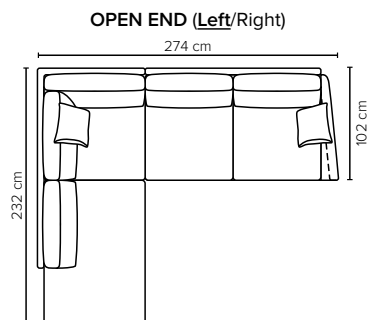
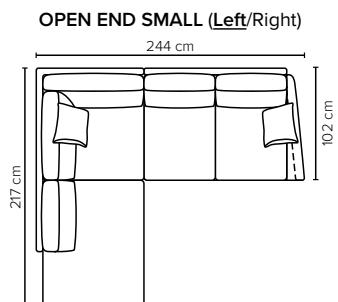
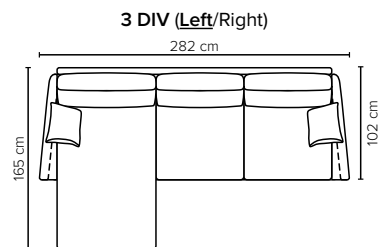
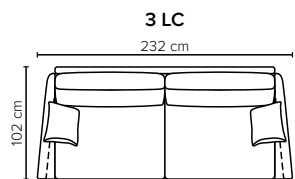
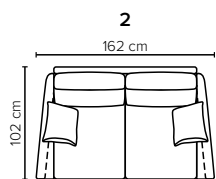
A sofa that makes your family smile

bellus<sup>®</sup>



# COMBINATIONS Choose from available sofa models

bellus®



- SEAT:** **Cloud System:** Pocket springs + HR Foam 35 kg covered with memory foam and 200 g fiber
- BACK:** Silicized polyester fiber  
Fixed seat cushions. Back cushions fixed with zipper
- ARMREST:** Foam 25-30 kg

- DECO PILLOWS:** 1 deco pillow per armrest size 40x40 cm  
1 deco pillow per corner size 40x40 cm
- FRAME:** Plywood + wood  
No-Sag springs
- LEG OPTIONS:** Standard: Leg 136 (metal, h: 16 cm)  
Optional: Leg 14 (wooden, h: 16 cm)



All measurements are approximate, +/- 3 cm. Sofa height measured with leg 136. Please visit [www.bellus.com](http://www.bellus.com) for the latest product versions.